



DNH

HEAD OFFICE, NORWAY
DNH AS

Phone..... + 47 35 98 56 00
Fax..... + 47 35 98 56 10
E-mail..... dnh@dnh.no
Web-Site..... www.dnh.no

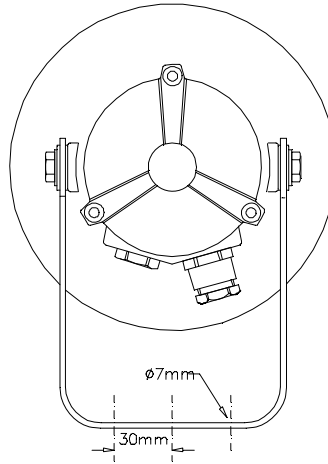
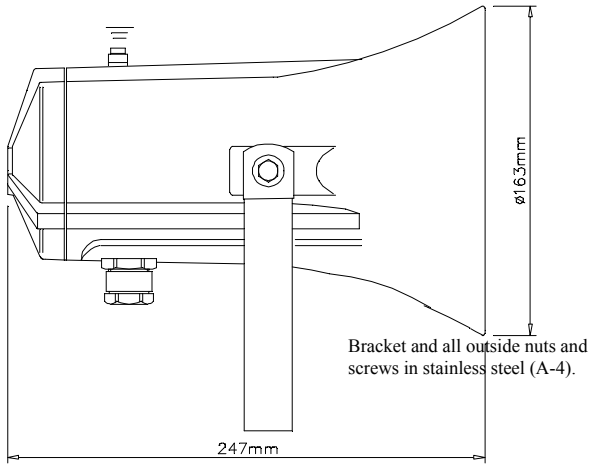
ENGLAND
DNH WW Ltd
Phone..... + 44 1908 275 000
Fax..... + 44 1908 275 100
E-mail..... dnh@dnh.co.uk

GERMANY
DNH GmbH
Phone... + 49 040 6569 30-0
Fax..... + 49 040 6569 30-30
E-mail..... dnh@dnh.de

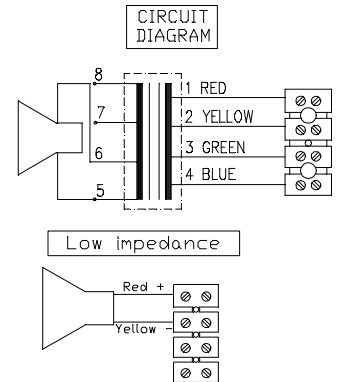
USA
DNH Speakers Inc
Phone..... + 1 484 494 5790
Fax..... + 1 484 494 5793
E-mail..... dnh@dnhspeakers.com

ISO 9001 CERTIFIED

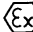
HS-15EExIIN(T)



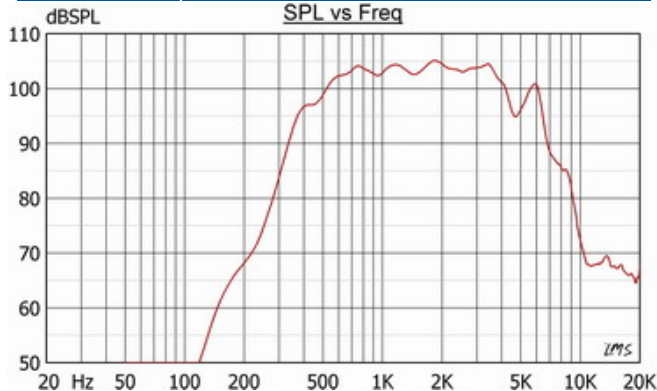
Standard model delivered with two M20
Ex approved plastic blinding plugs



Primary nominal tapings	
1 : 2	15,0 W
2 : 3	7,5 W
3 : 4	4,0 W
1 : 3	3,0 W
2 : 4	1,5 W
1 : 4	1,0 W

Certified by / Certification code / Number: Nemko / II 3 G Ex nA II Gc / 10ATEX1056  - 50°C ≤ Ta +50°C

Sound pressure levels at 1W/1m Sine wave



Specifications

Material / Color	Aluminum alloy / RAL 7035
Mounting	Bracket
Termination	e-chamber, screw terminals
Weight w/transformer	2,7 kg
IP-rating	67
Max. / min. amb. temp	50°C / -50°C
Rated / max. power	15 W / 15 W
SPL 1W/1m	107 dB
SPL rated power	118 dB
Effective freq. range	350 – 7500 Hz
Dispersion (-6dB) 1kHz / 4kHz	140° / 30°
Directivity factor, Q1kHz/4kHz	2,6 / 12
Options	Impedance, colors, labels

Installation, Operation and Maintenance Procedures

- Unscrew lid, lead cable through cable gland and connect to terminal.
- If the Ex-loudspeaker is to be earthed, it must be done correctly using the specially marked screws.
- Tighten cable gland and screw lid back on with 2-3 Nm to assure IP grade.
- Fasten the bracket with three screws and ensure to use all washers in the intended position. (To isolate the main body from the bracket).
- To change the position of the loudspeaker, please adjust the bracket (by loosening / tightening the screws) as required.
- Use only certified/specified cable glands and blinding plugs.
- Standard model delivered with two M20 Ex approved plastic blinding plugs.
- The aluminum surface of the loudspeaker should be treated regularly with paint at the same interval as with other similar outdoor equipment.
- For optimum performance, always use the correct voltage / power and operate within the frequency limits as stated.
- Do not open loudspeaker when energized.
- This loudspeaker is supplied with a two years warranty against defective workmanship.

DNH reserves the right to alter specifications without notice

